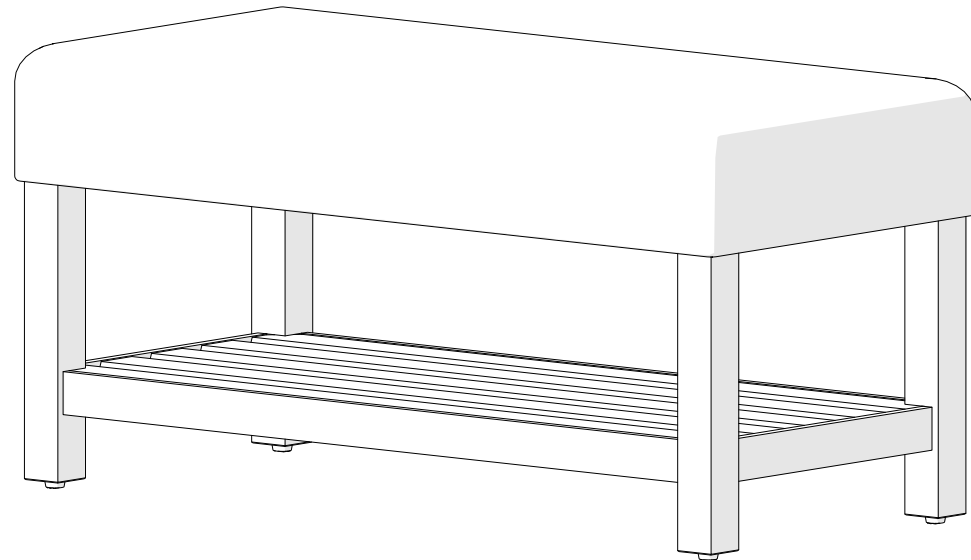


HOMEPOP

a Kinfine brand

Style Number : K7643



>>assembly instructions

Congratulations on your latest HomePop purchase.

Now what? Don't start sweating over this box of parts. This will be easy. We did the hard work for you. All you need to do is follow our simple instructions and you'll be on your way to transforming your room in no time. Good luck --though we're confident you won't need it.

before you begin

1. Check for damaged or missing parts. Customers can email service@kinfine.com or call 1-888-626-0888 to order missing supplies.
2. Use the carton as a working surface to prevent product damage during assembly.
3. Gather all tools prior to assembly.

table of contents

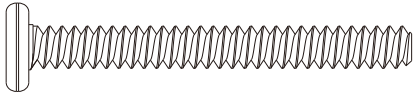


introduction	2
hardware	4
parts list	5
assembly	6 - 8

hardware

(A) x 12

1/4" x 2"
round hex screw



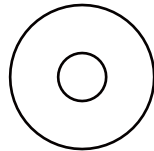
(B) x 12

1/4" lock washer



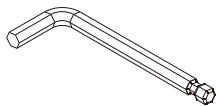
(C) x 12

3/4" flat washer



(D) x 1

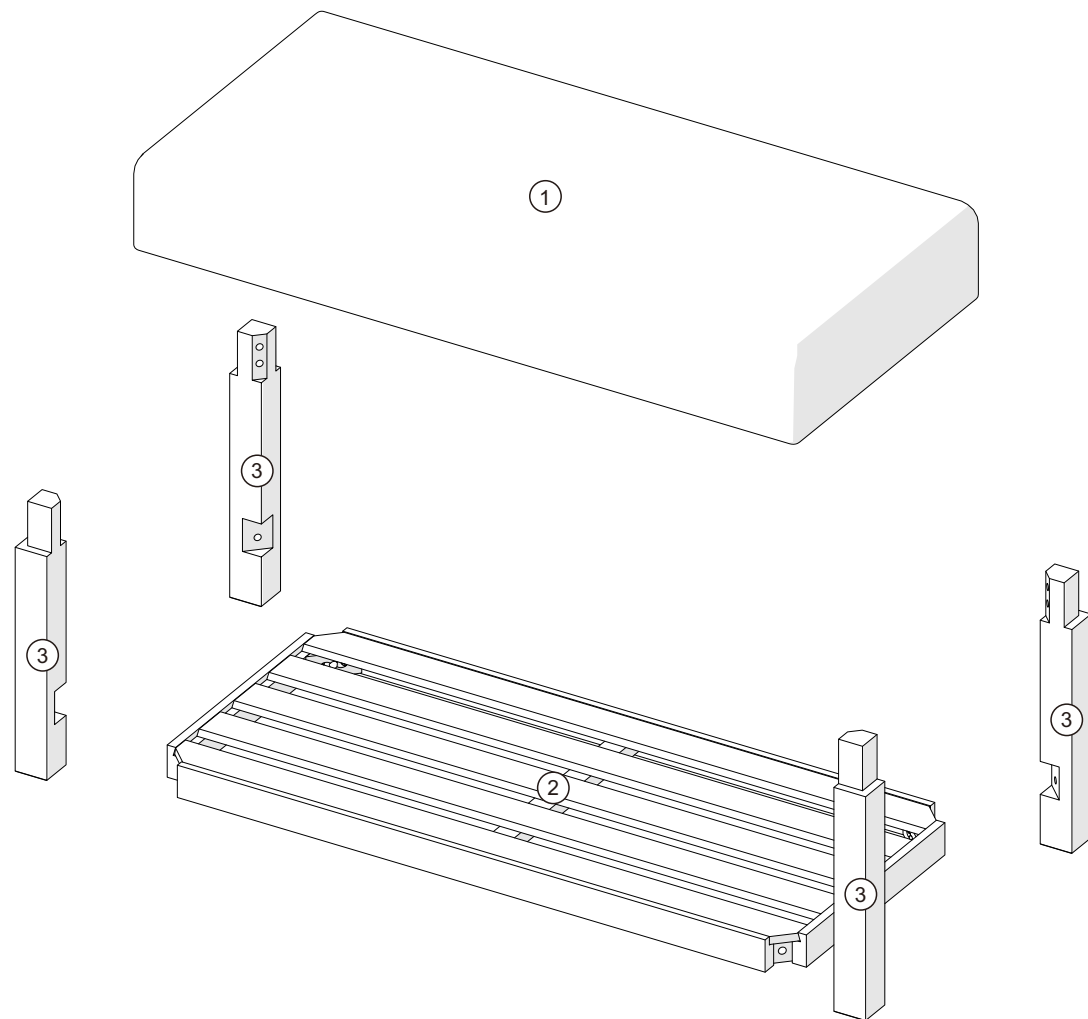
4mm Ball end
Hex wrench



ITEM DESCRIPTION QUANTITY

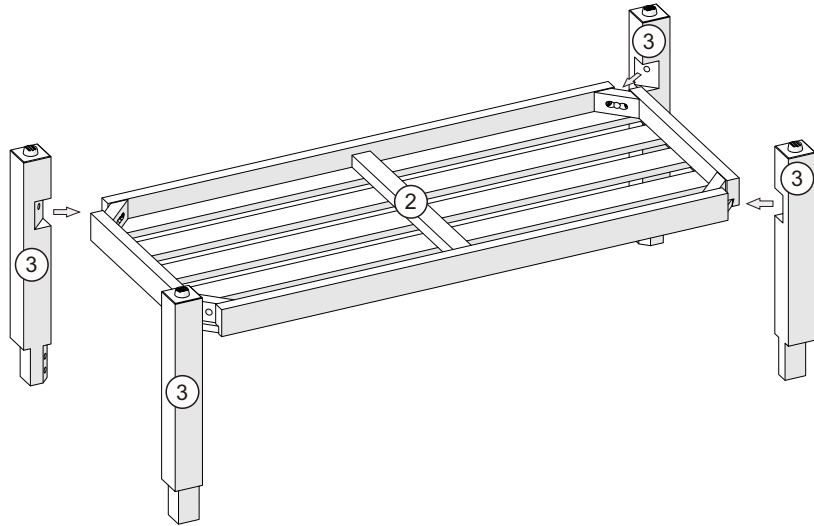


①	seat	1
②	bottom shelf	1
③	leg	4



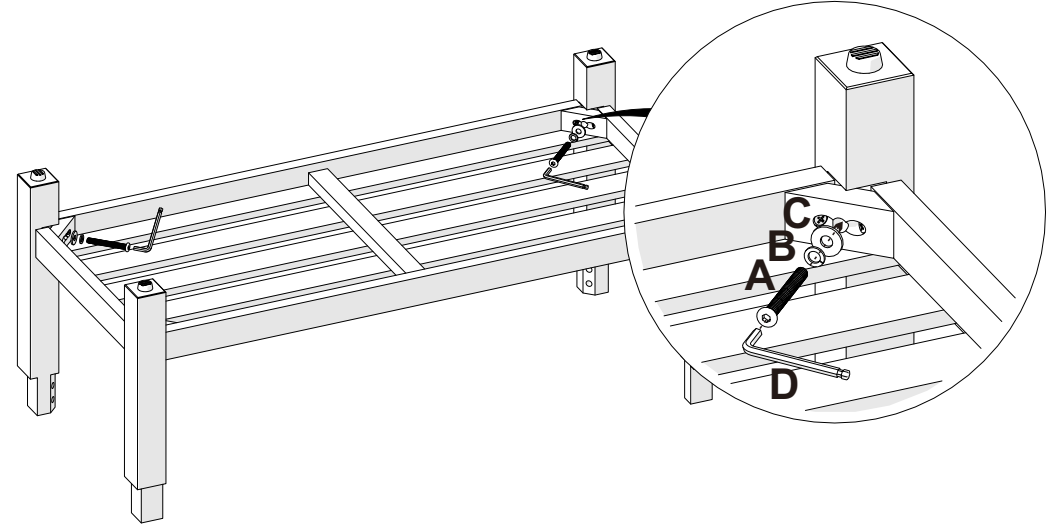
step 1.

1



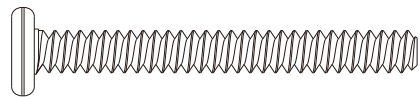
2

Do not tighten these 4 bolts until the next step.



(A) x 4

1/4" x 2"
round hex screw



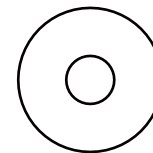
(B) x 4

1/4" lock washer



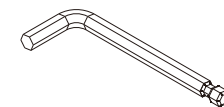
(C) x 4

3/4" flat washer



(D) x 1

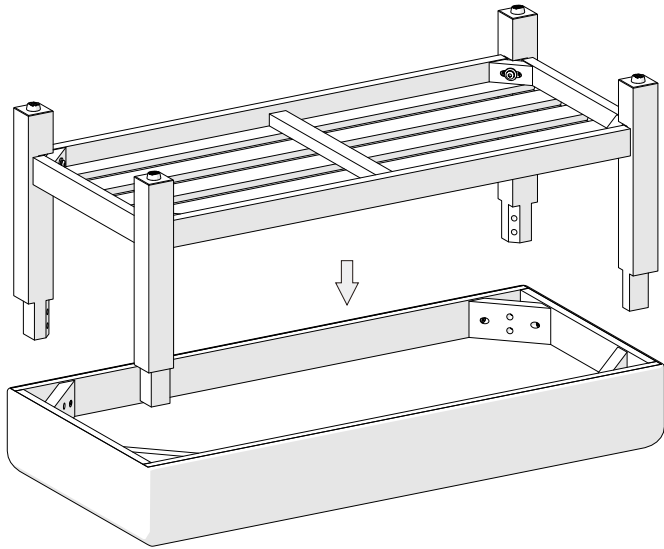
4mm Ball end
Hex wrench



Please do not assemble with power tools

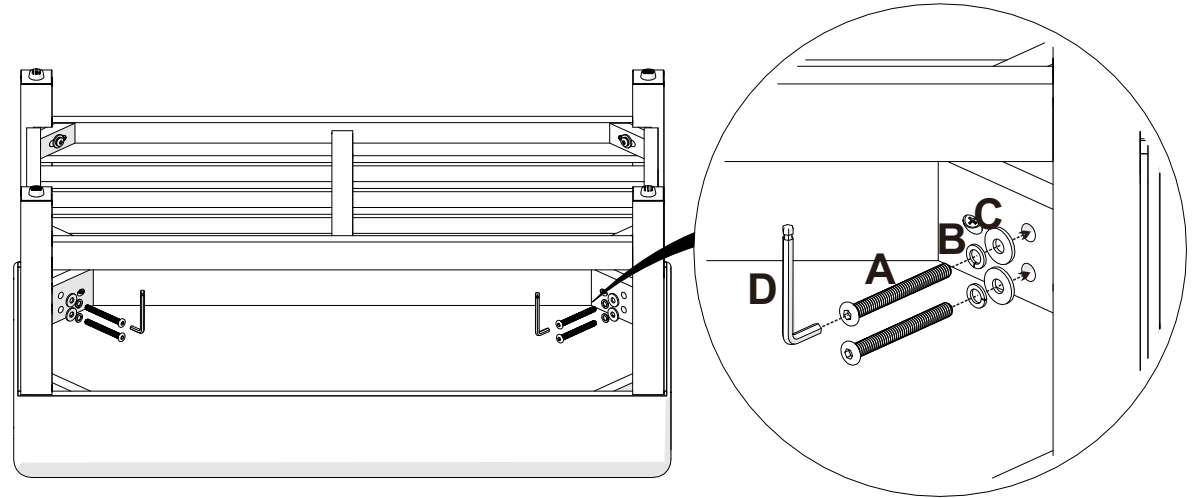
step 2.

1



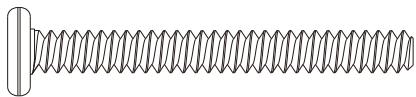
2

Now you may tighten all 12 bolts.



(A) x 8

1/4" x 2"
round hex screw



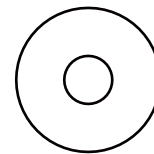
(B) x 8

1/4" lock washer



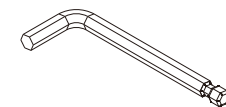
(C) x 8

3/4" flat washer



(D) x 1

4mm Ball end
Hex wrench

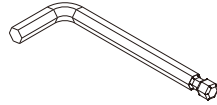


Please do not assemble with power tools

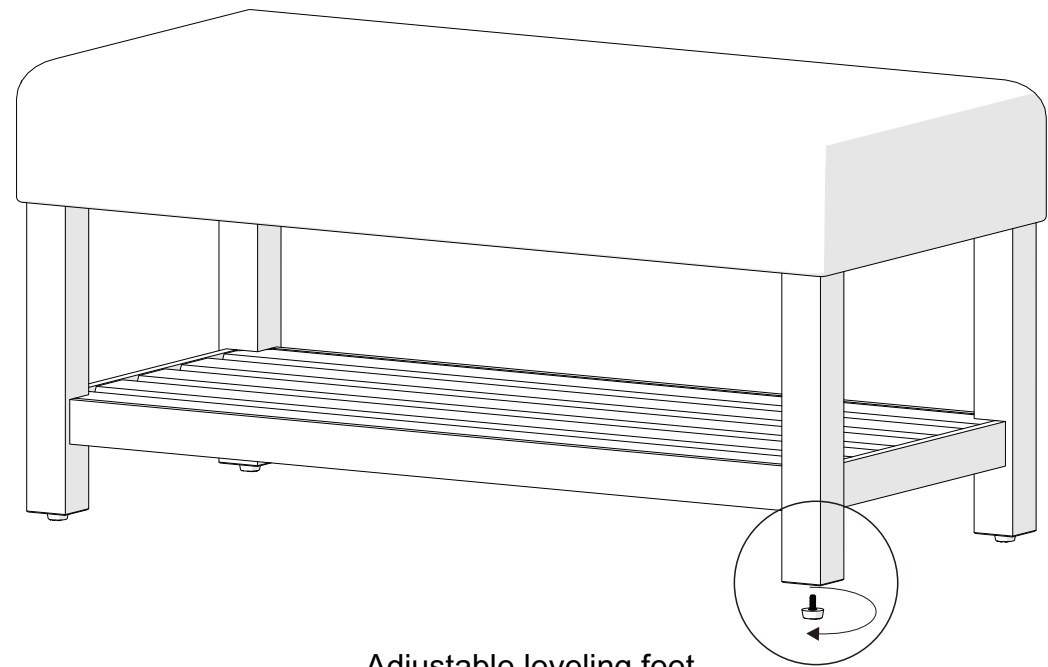
step 3.

A friendly reminder from us:

Please keep the Allen wrench.



After a period of time, there may be a chance the KD furniture may become loose, please use an Allen wrench to tighten the loose bolts.



Adjustable leveling feet

(This part is already attached on the end cap of 4 legs.)

Level the furniture, use leveling feet if needed.