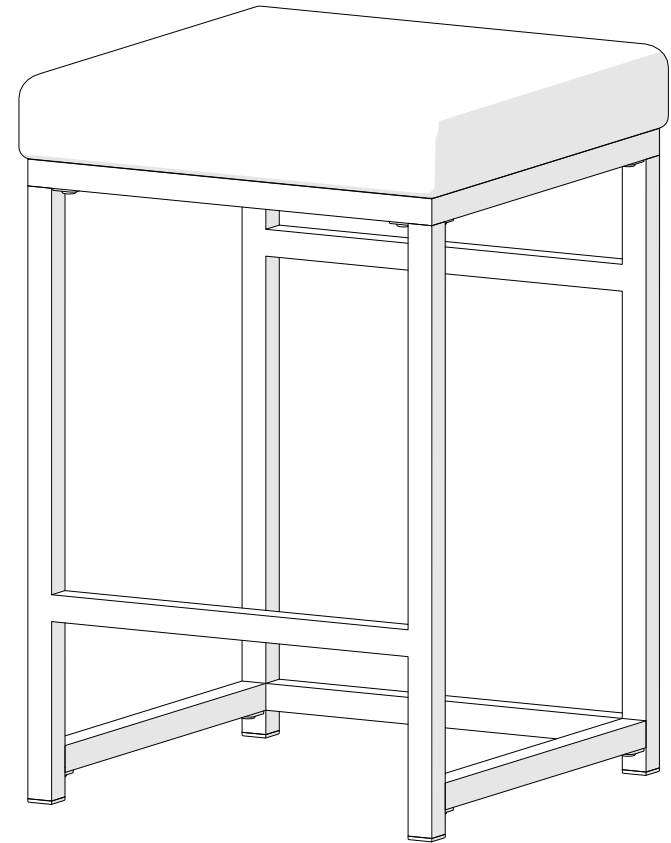


HOMEPOP

a Kinfine brand

Style Number : K7651



>>assembly instructions

Congratulations on your latest HomePop purchase.

Now what? Don't start sweating over this box of parts. This will be easy. We did the hard work for you. All you need to do is follow our simple instructions and you'll be on your way to transforming your room in no time. Good luck --though we're confident you won't need it.

before you begin

1. Check for damaged or missing parts. Customers can email service@kinfine.com or call 1-888-626-0888 to order missing supplies.
2. Use the carton as a working surface to prevent product damage during assembly.
3. Gather all tools prior to assembly.

table of contents

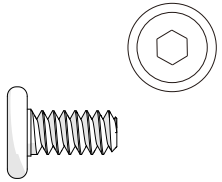


introduction	2
hardware	4
parts list	5
assembly	6 - 7

hardware

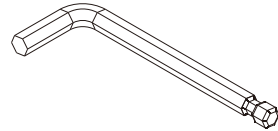
(A) x 12

Φ 6mm x 12mm
round hex screw



(B) x 1

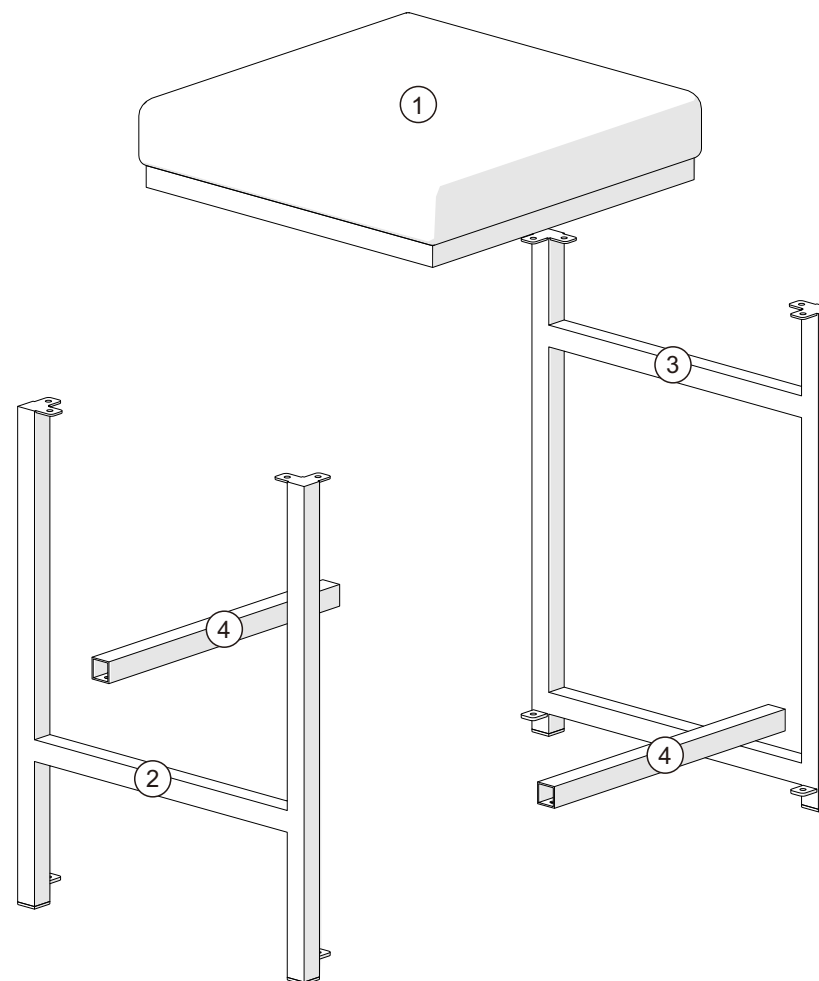
4mm Ball end
Hex wrench



ITEM DESCRIPTION QUANTITY

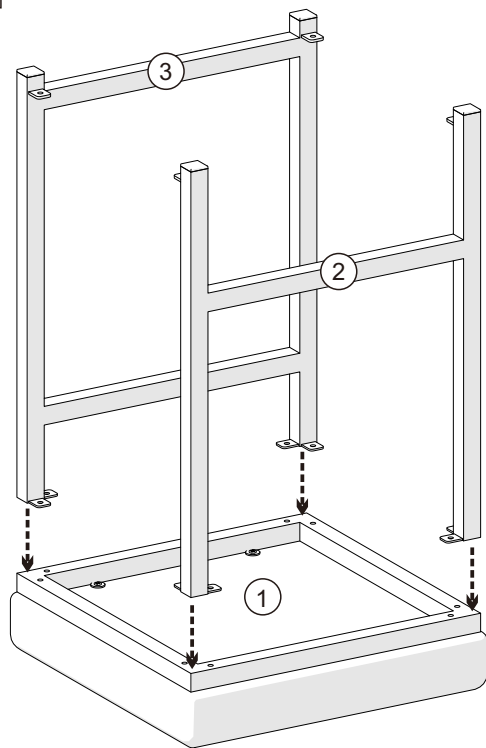


①	chair cushion	1
②	front leg	1
③	back leg	1
④	bar	2



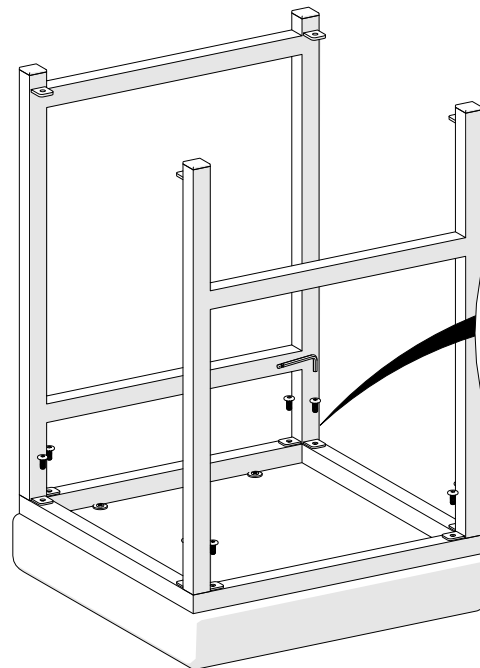
step 1.

1



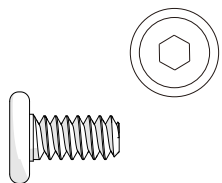
2

Do not tighten these eight bolts until the next step.



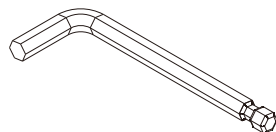
(A) x 8

Φ 6mm x 12mm
round hex screw



(B) x 1

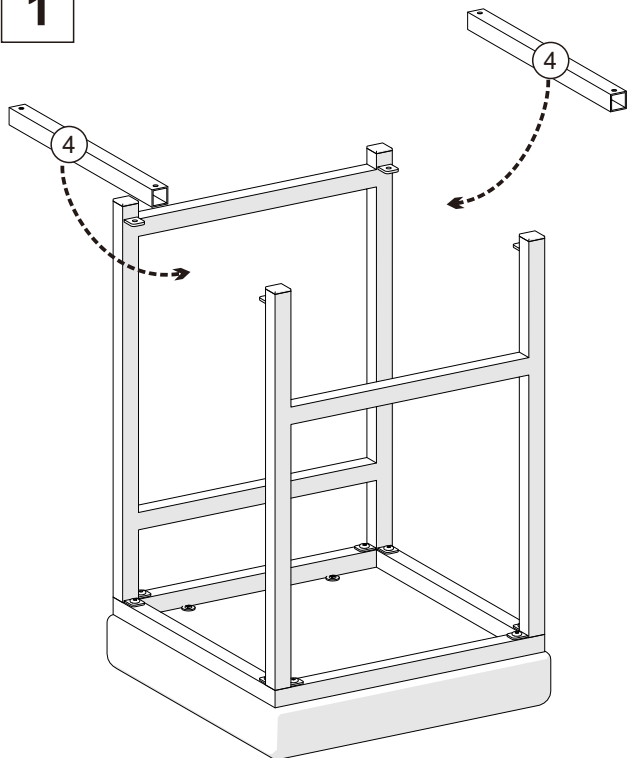
4mm Ball end
Hex wrench



Please do not assemble with power tools

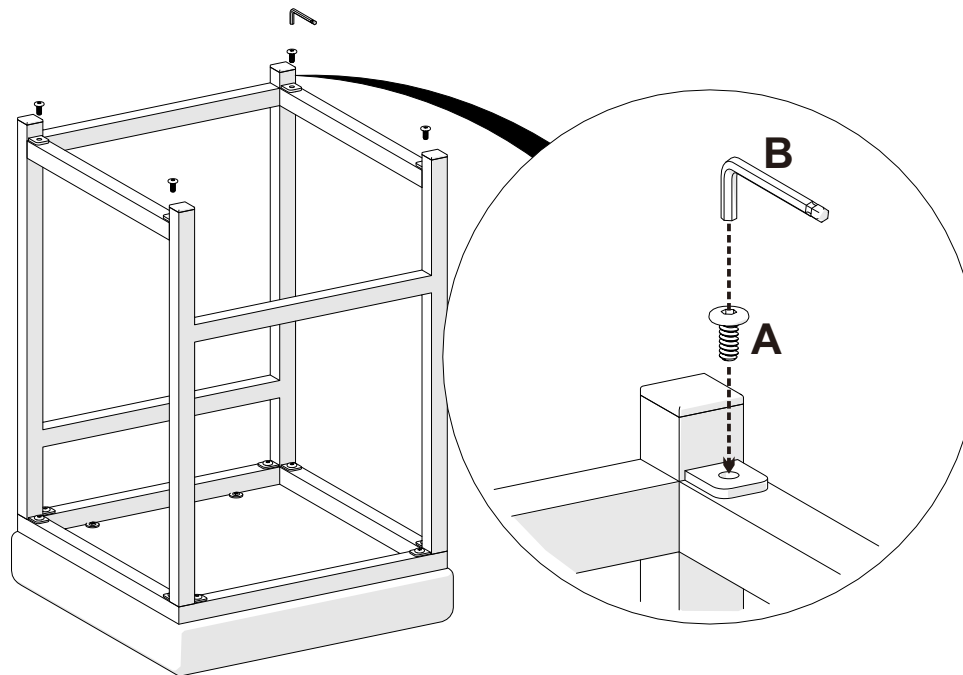
step 2.

1



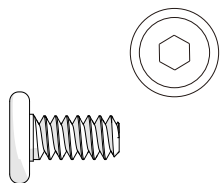
2

Now you may tighten all 12 bolts.



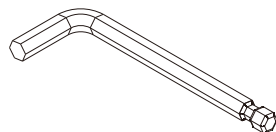
(A) x 8

Φ 6mm x 12mm
round hex screw



(B) x 1

4mm Ball end
Hex wrench



Please do not assemble with power tools