

HOMEPOP

a Kinfine brand

Upholstered Saddle Stool-24"

Style Number : K7699.24



>>assembly instructions

Congratulations on your latest HomePop purchase.

Now what? Don't start sweating over this box of parts. This will be easy. We did the hard work for you. All you need to do is follow our simple instructions and you'll be on your way to transforming your room in no time. Good luck --though we're confident you won't need it.

before you begin

1. Check for damaged or missing parts. Customers can email service@kinfine.com or call 1-888-626-0888 to order missing supplies.
2. Use the carton as a working surface to prevent product damage during assembly.
3. Gather all tools prior to assembly.

table of contents

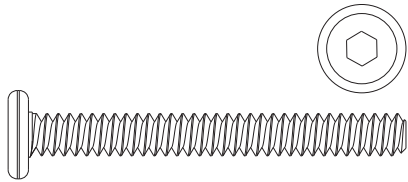


introduction	2
hardware	4
parts list	5
assembly	6 - 9

hardware

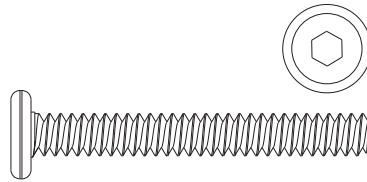
(A) x 8

1/4" x 50mm
round hex screw



(B) x 4

1/4" x 45mm
round hex screw



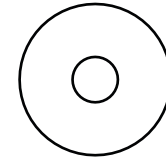
(C) x 8

Φ 6mm lock washer



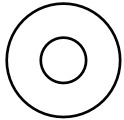
(D) x 8

Φ 20mm flat washer



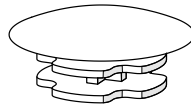
(E) x 4

Φ 15mm flat washer



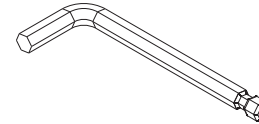
(F) x 4

plug



(G) x 1

4mm Ball end
Hex wrench

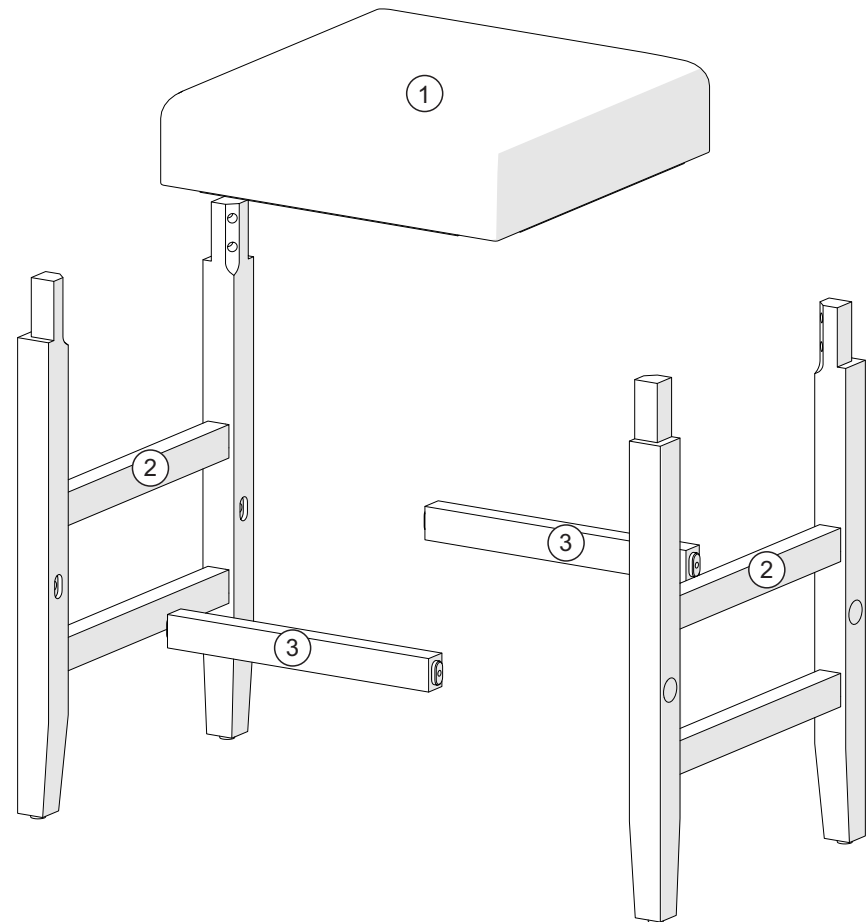


ITEM DESCRIPTION QUANTITY

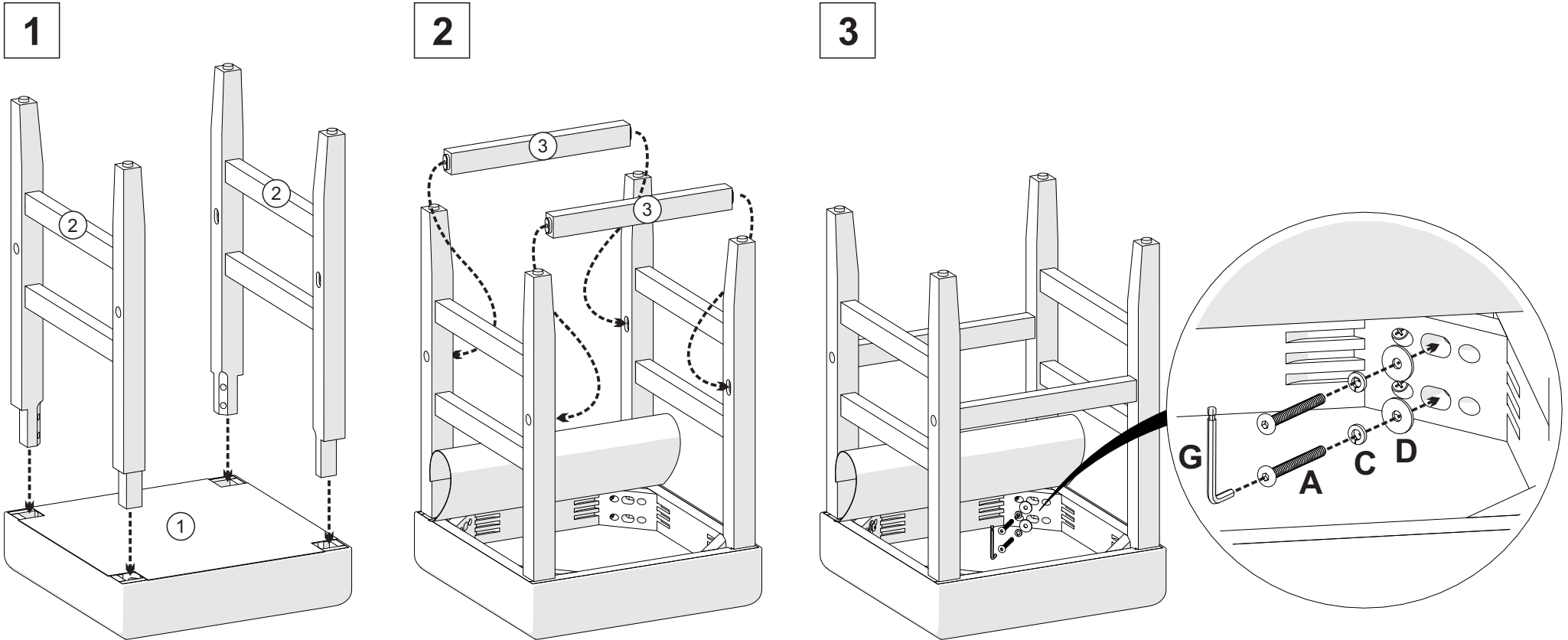
.....

①	seat cushion	1
②	leg	2
③	bar	2

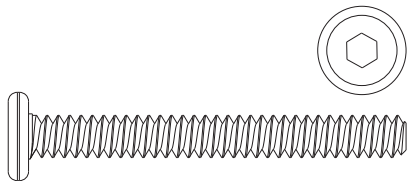
1. Flip the seat cushion over so that the bottom side is facing up.
2. Open the black velcro flap for part ③, which is in the seat cushion.



step 1.



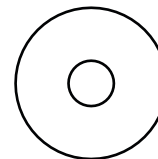
(A) x 8
1/4" x 50mm
round hex screw



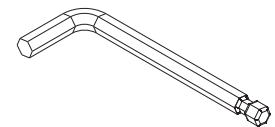
(C) x 8
Φ 6mm lock washer



(D) x 8
Φ 20mm flat washer



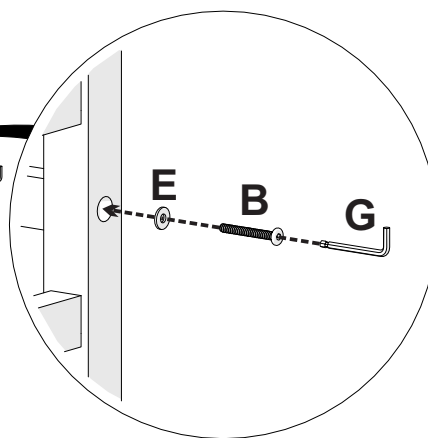
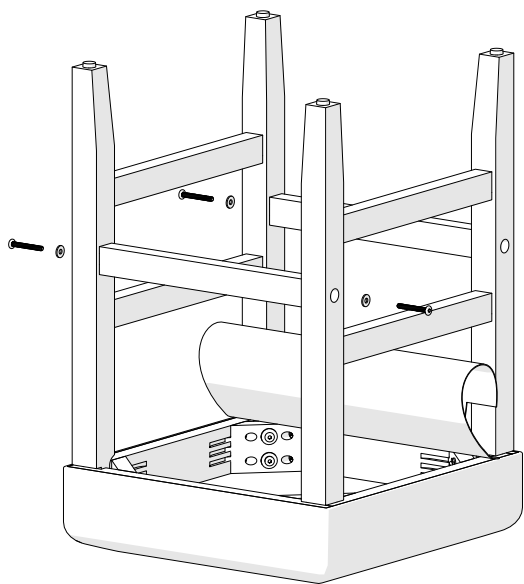
(G) x 1
4mm Ball end
Hex wrench



Please do not assemble with power tools

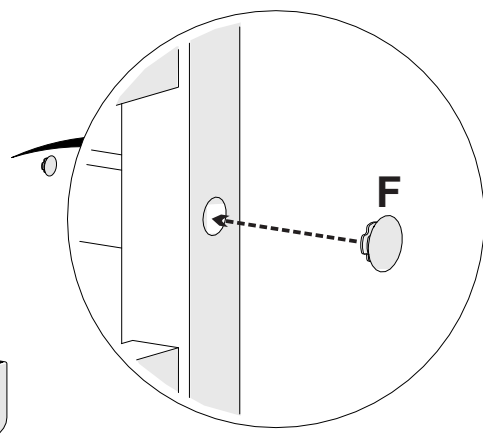
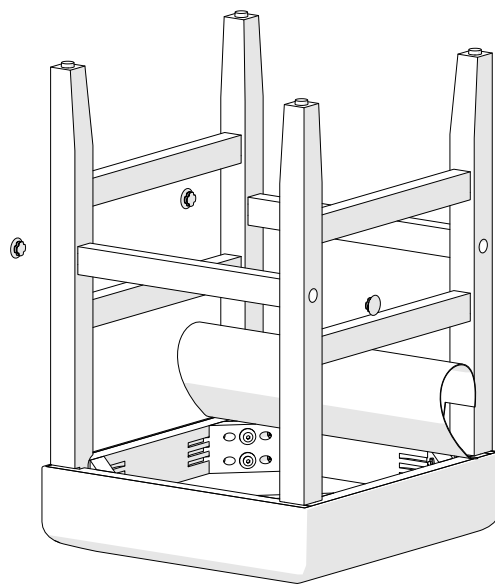
step 2.

1



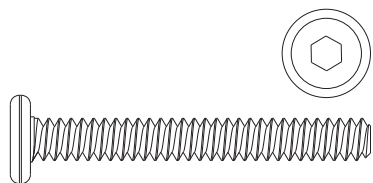
2

Use plugs to cover the holes.



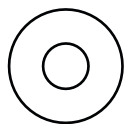
(B) x 4

1/4" x 45mm
round hex screw



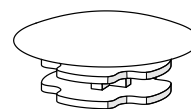
(E) x 4

Φ 15mm flat washer



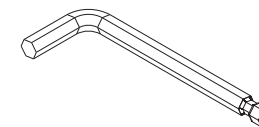
(F) x 4

plug



(G) x 1

4mm Ball end
Hex wrench

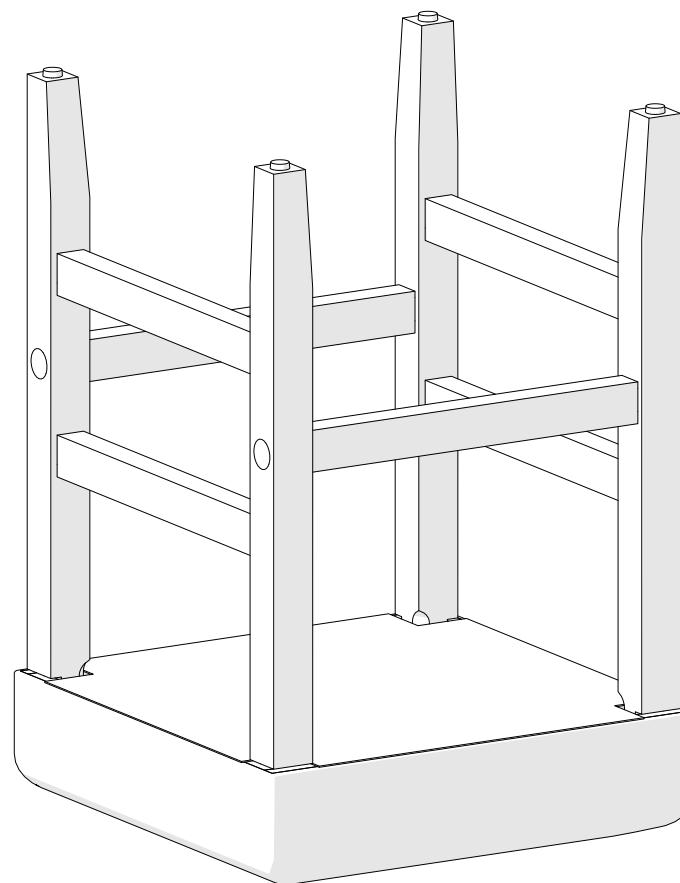
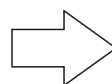
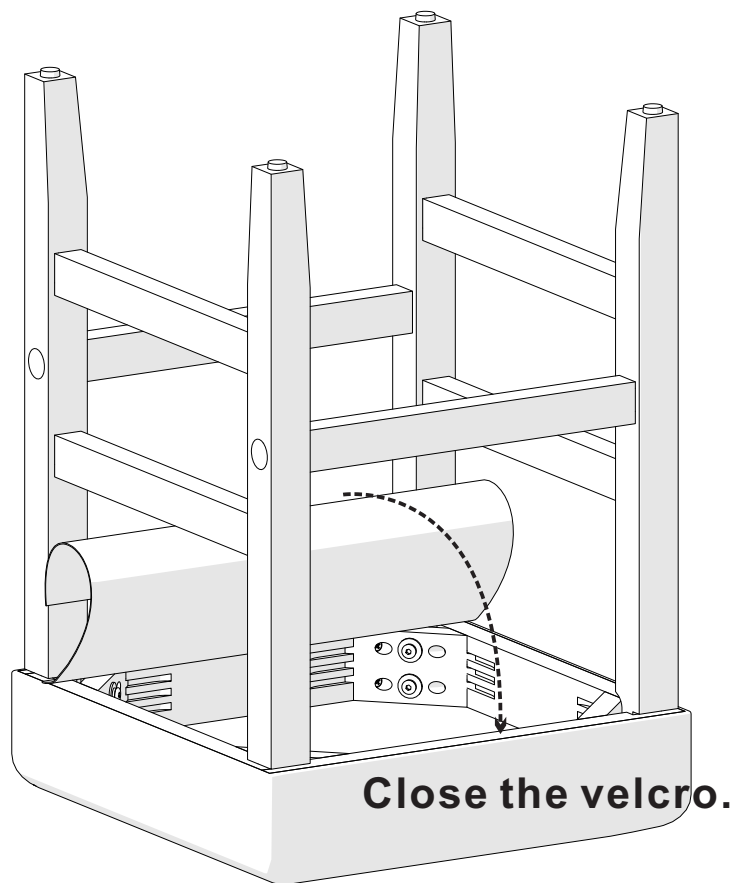


Please do not assemble with power tools

step 3.

.....

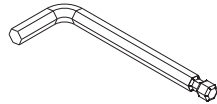
1



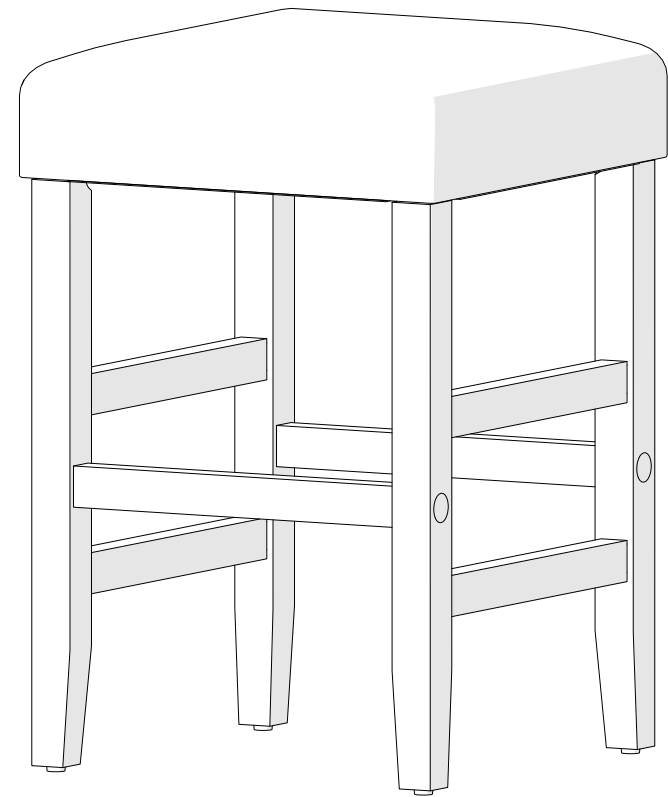
step 4.

A friendly reminder from us:

Please keep the Allen wrench.



After a period of time, there may be a chance the KD furniture may become loose, please use an Allen wrench to tighten the loose bolts.



Level the furniture, use leveling feet if needed.